

SEZIONE A-A

20H7  
M16



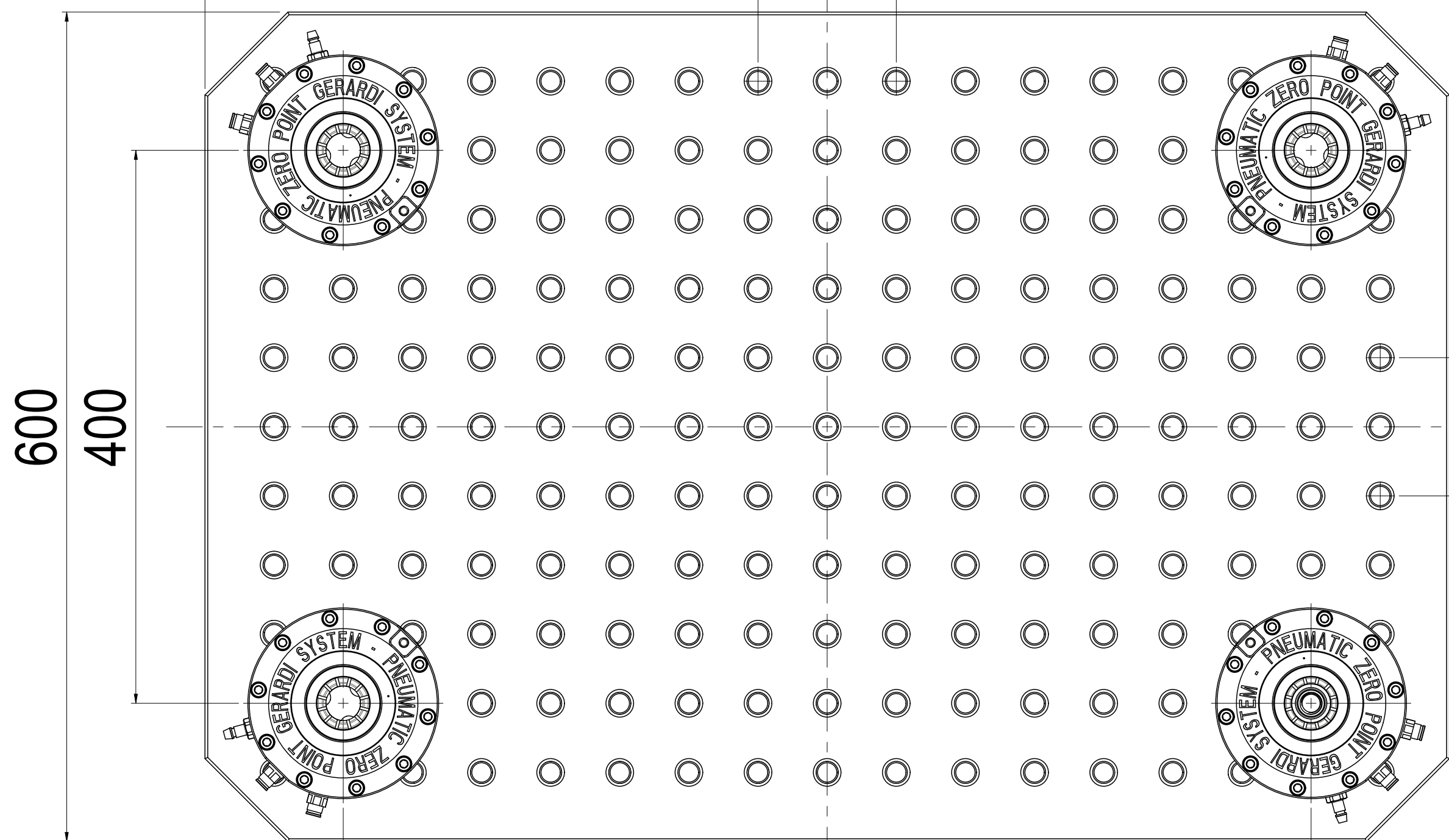
Made in Italy

A

900

50<sup>+0.02</sup><sub>-0.02</sub>

50<sup>+0.02</sup><sub>-0.02</sub>



600

400

50<sup>+0.02</sup><sub>-0.02</sub>

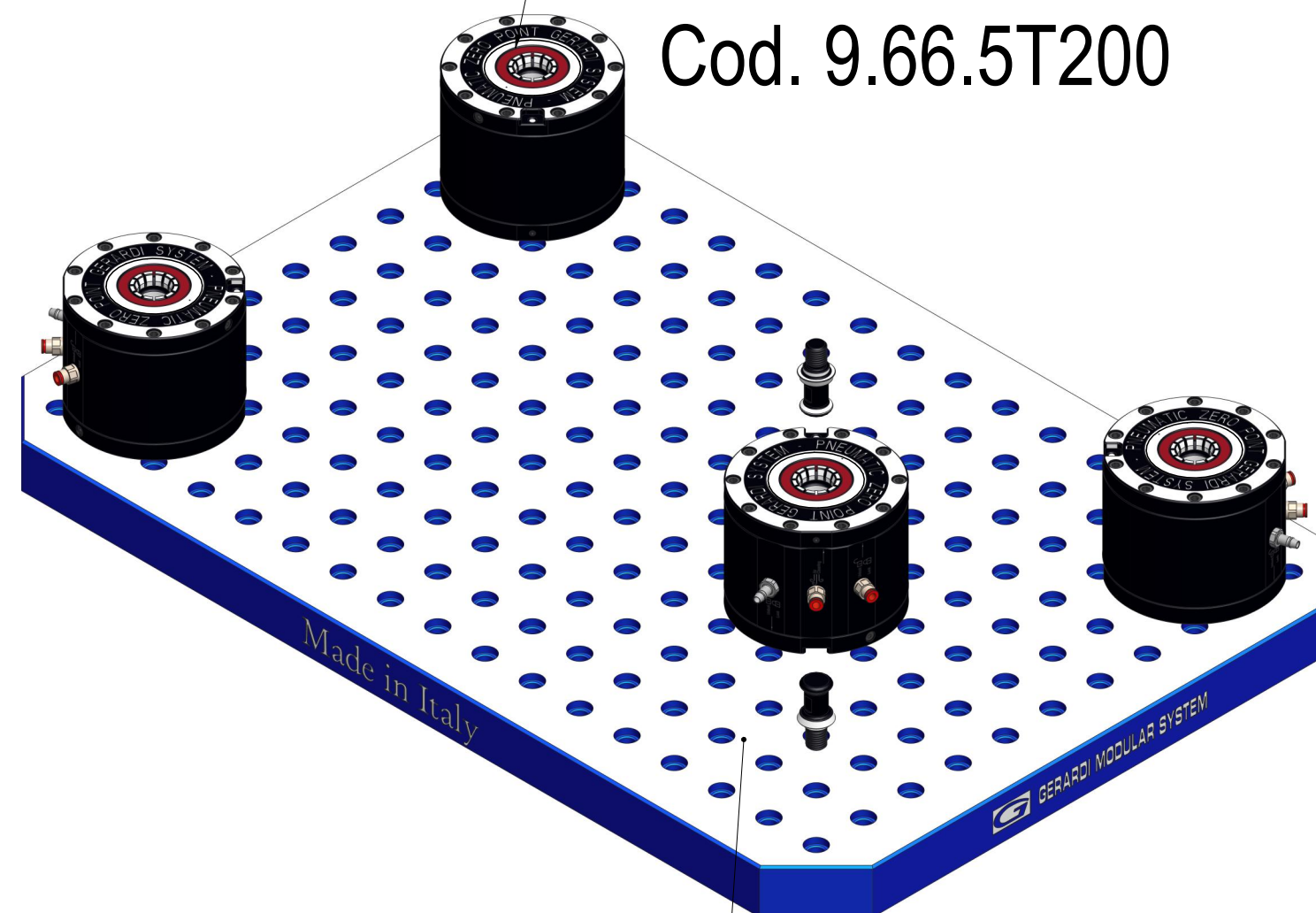
50<sup>+0.02</sup><sub>-0.02</sub>

700

SCALA 3:10

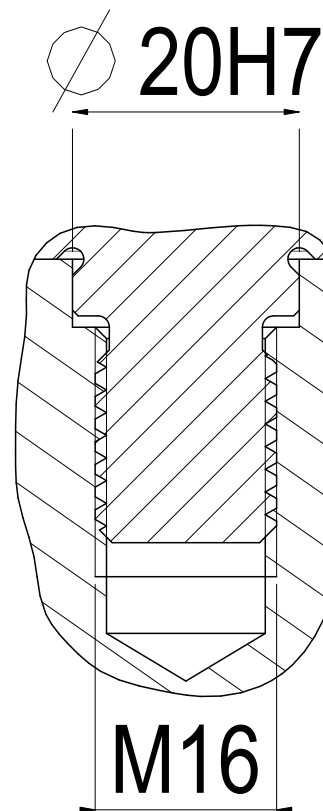
Grid base plate customized  
Art.61E 900x600x48  
Cod. 8.61.E906048

N°4 Double ZeroPoint  
for quick change of the pitch  
Art.665T T.2  
Cod. 9.66.5T200



SCALA 1:5

A(3:2)



| Rev. | Description | Drawn by | Date | Approved by |
|------|-------------|----------|------|-------------|
|      |             |          |      |             |
|      |             |          |      |             |

|                       |   |                               |  |   |                           |   |
|-----------------------|---|-------------------------------|--|---|---------------------------|---|
|                       | GERARDI S.p.A.<br>Lonate Pozzolo (VA)<br>Italy<br>Tel. +39 0331303911<br>Fax +39 0331301534 | Denominazione<br>Denomination |  | In Attesa di promozione - NON UTILIZZABILE VALUTAZIONE IN CORSO |                           |   |
|                       | Articolo<br>Article   | 665T                          | Sistema di serraggio con ZeroPoint doppio<br>Clamping system with double ZeroPoint |   | Cliente<br>Customer       | - |
| Tipo<br>Type          | 2   | Disegnato da<br>Drawn by      | D. Verlingieri   | Approvato da<br>Approved by                                     | N° ordine<br>Order N°     | 0 |
| Peso<br>Weight        | Kg 228.99   | Foglio<br>Sheet               | 1 of 2   | Codice commerciale<br>Sales item code                           | Fabbisogno<br>Q.ty needed | - |
| Revisione<br>Revision | A.3   | Data<br>Date                  | -  | Disegno N°<br>Drawing N°  | W0000070187               |   |