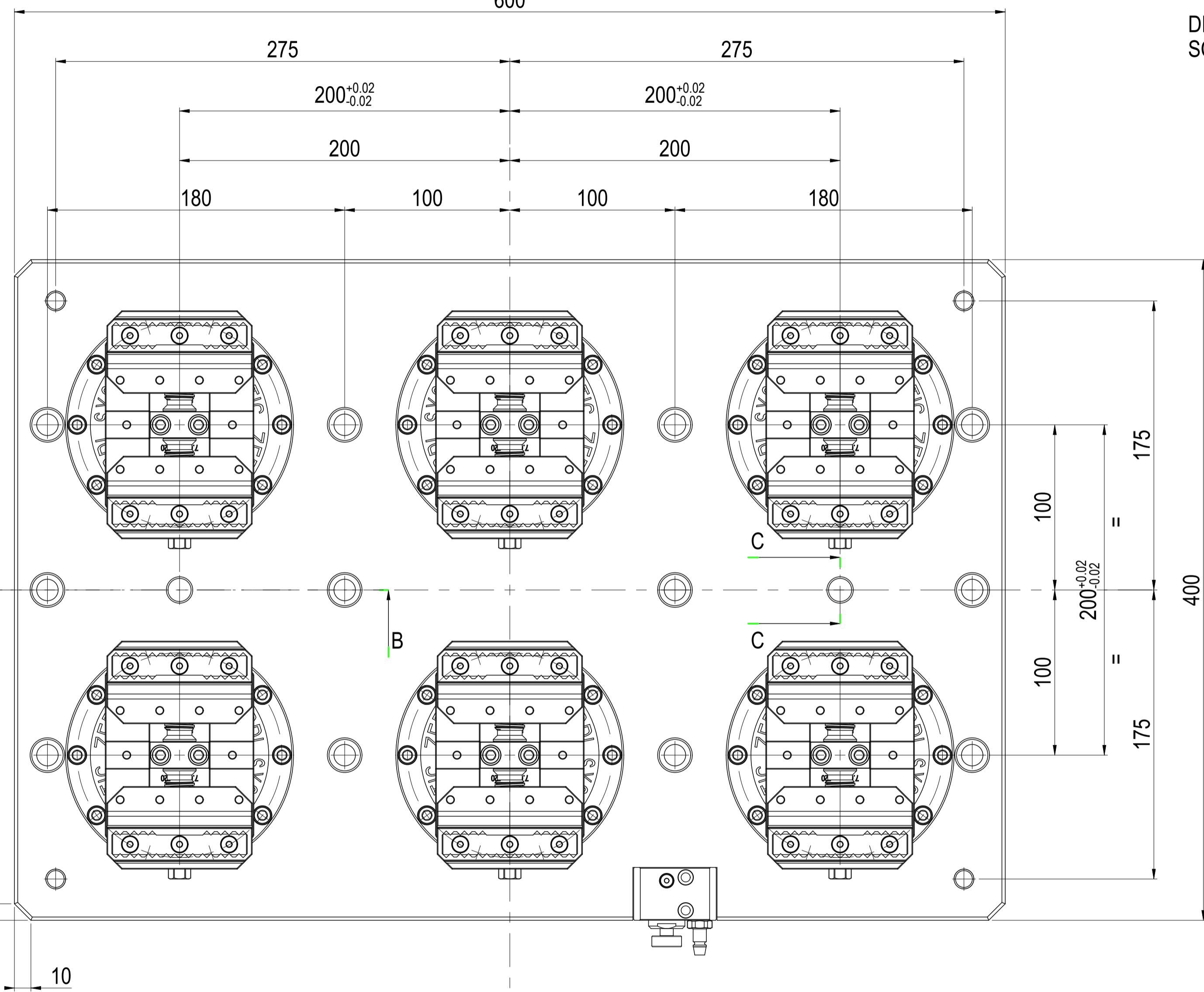
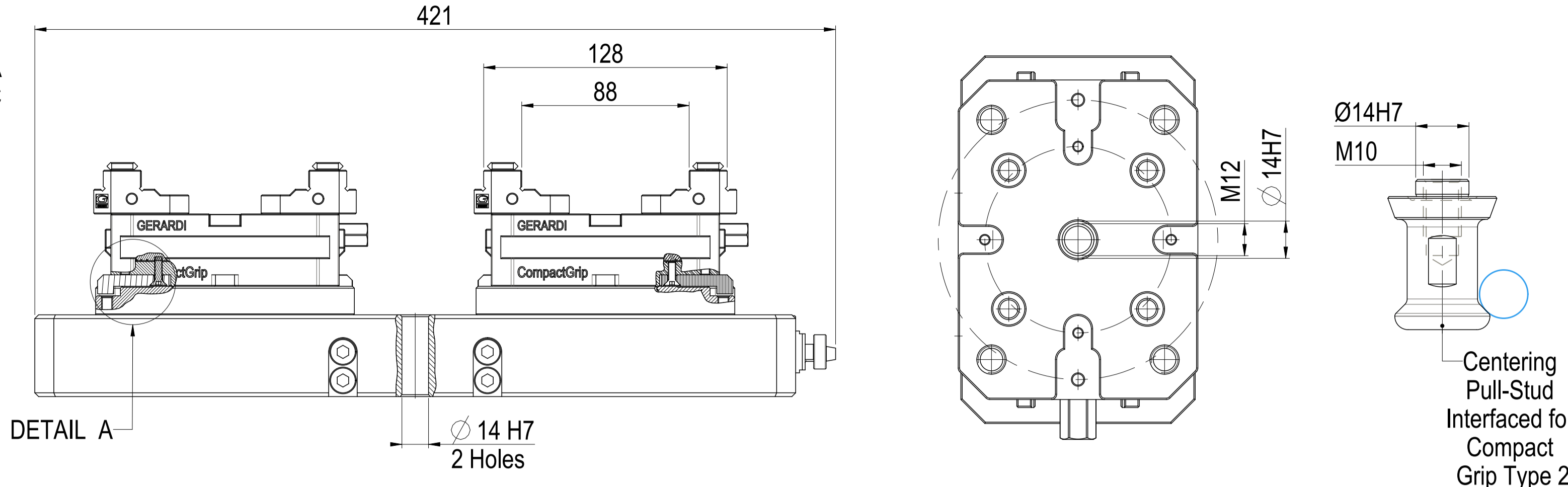
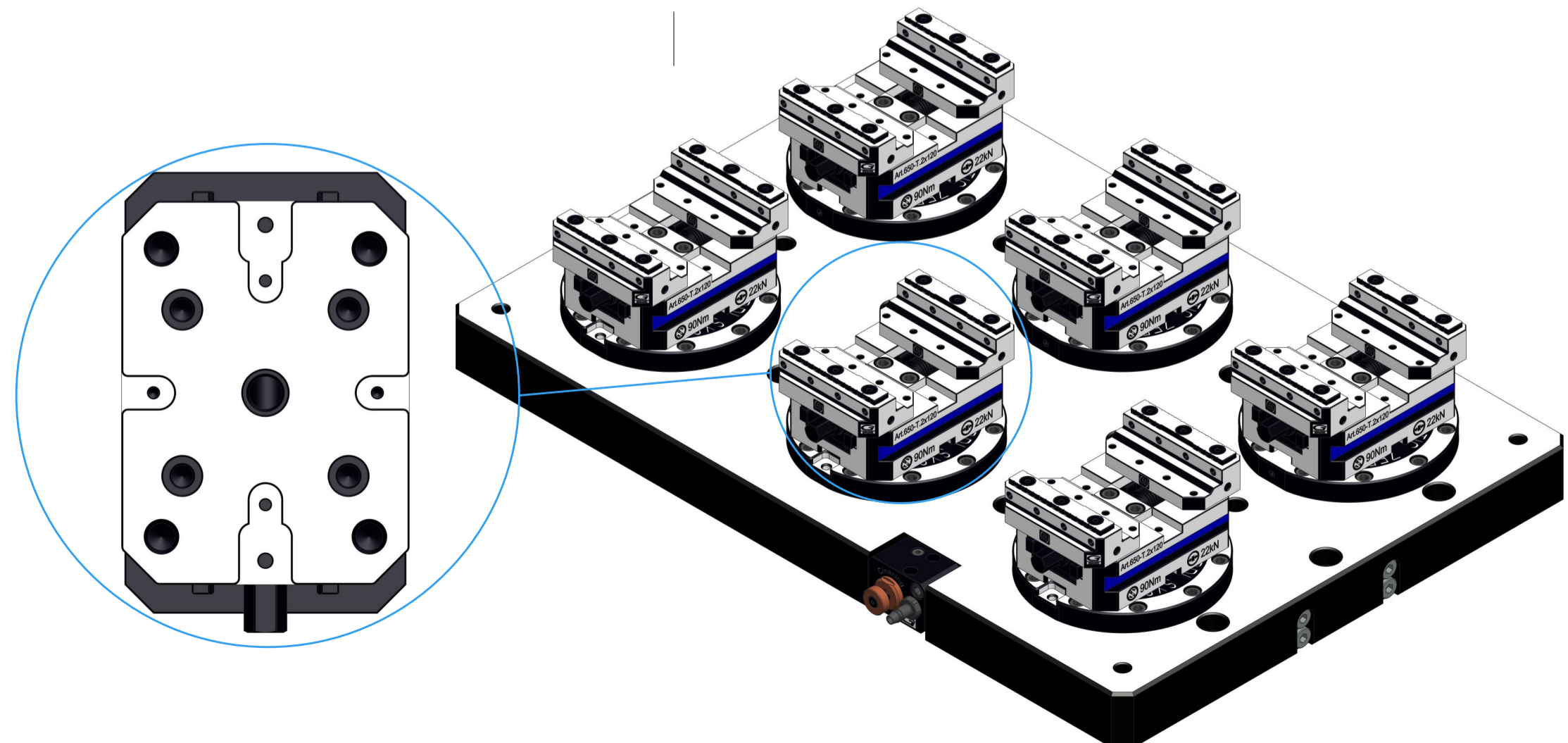
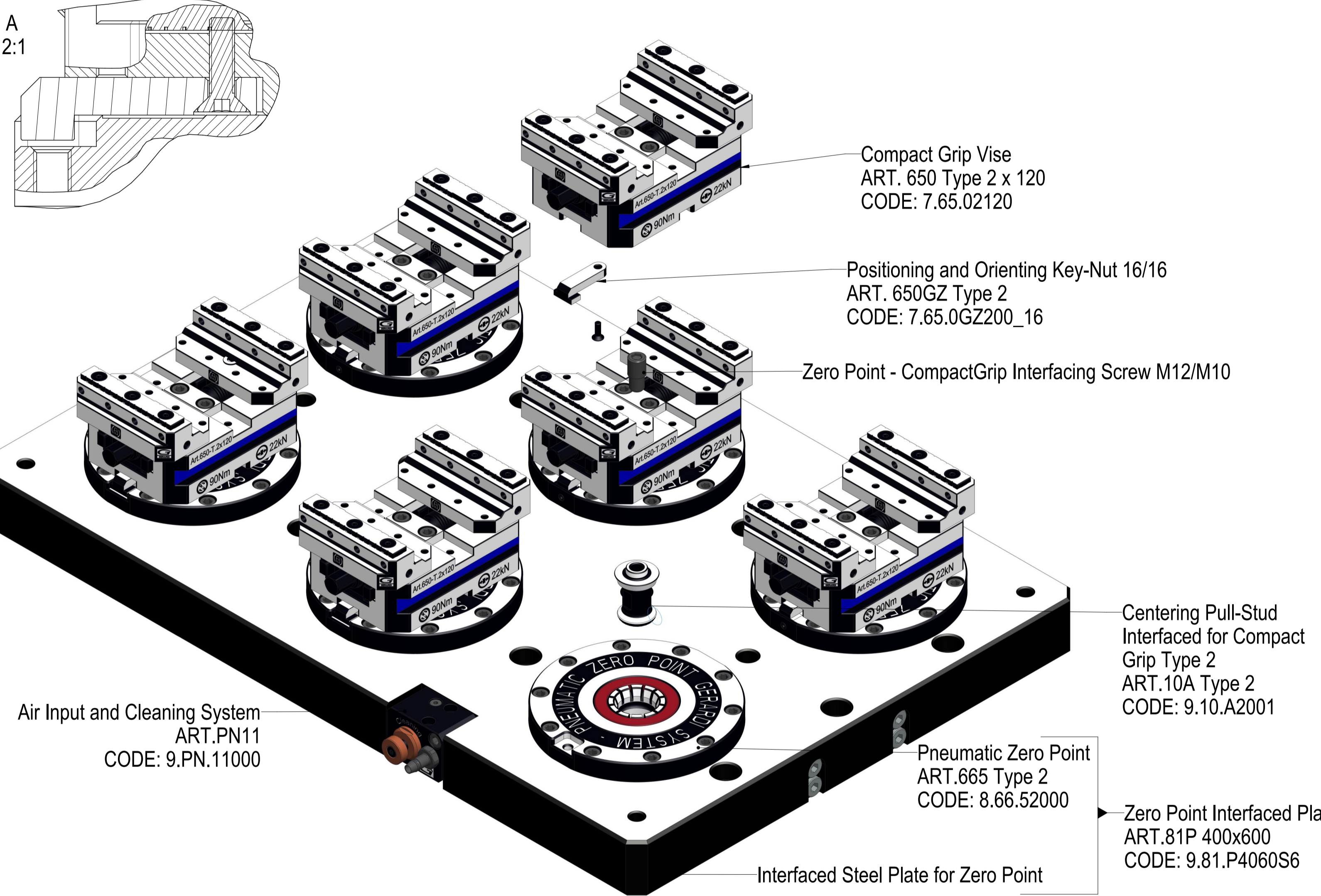


SECTION A-A  
C-C



DETAIL A  
SCALE 2:1



**STANDARD EQUIPMENT**  
for Each Compact Grip ART.650

- N° 1 Box Wrench ART.375
- N° 1 Extra Pair of top Jaw Inserts ART.650T-G01
- N° 1 Workstop ART.370
- N° 2 Positioning Key-Nuts ART.297 16/16
- N° 2 Self Centering Key-Nuts ART.650G
- N° 2 Anti Rotation Zero Point Interfaced Key-Nuts ART.650GZ 10/16 (90° Vise Rotation)
- N° 2 Anti Rotation Zero Point Interfaced Key-Nuts ART.650GZ 16/16
- N° 1 Centering Pull-Stud Interfaced for Compact Grip Type 2 ART.10A
- N° 1 Zero Point - Compact Grip Interfacing Screw M12/M10

**STANDARD EQUIPMENT**  
for Each Zero Point ART.665

- N° 1 Pull-Stud ART.11A
- N° 1 Teflon Cap with O-Ring ART.9

GERARDI S.p.A.		Denominazione		Denomination	
Lonate Pozzolo (VA) Italy Tel. +39 0331303911 Fax +39 0331301534				Approvato da Approved by M. Ottoboni	
Articolo Article	650	Fabbisogno Q.ty needed	1	Cliente Customer	Disegnato da Drawn by
Peso Weight	Kg 164.18	Stato Drawing status		N° ordine Order N°	Foglio Sheet
Data Date		Revisione Revision		Codice commerciale Sales item code	1 of 3
Questo disegno è di esclusiva proprietà della GERARDI S.p.A. la quale ne vieta la copia, la riproduzione e la cessione a terzi a norma di legge. This drawing is of GERARDI S.p.A. exclusive property. The copy and/or transfer to third parties is prohibited by law.					