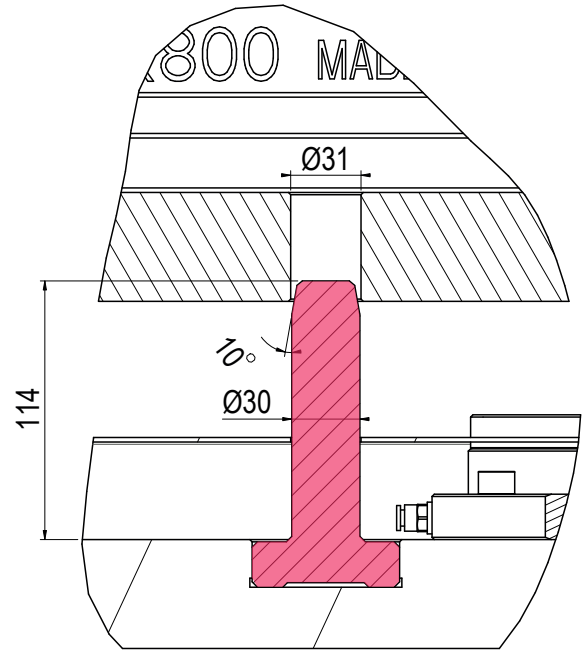
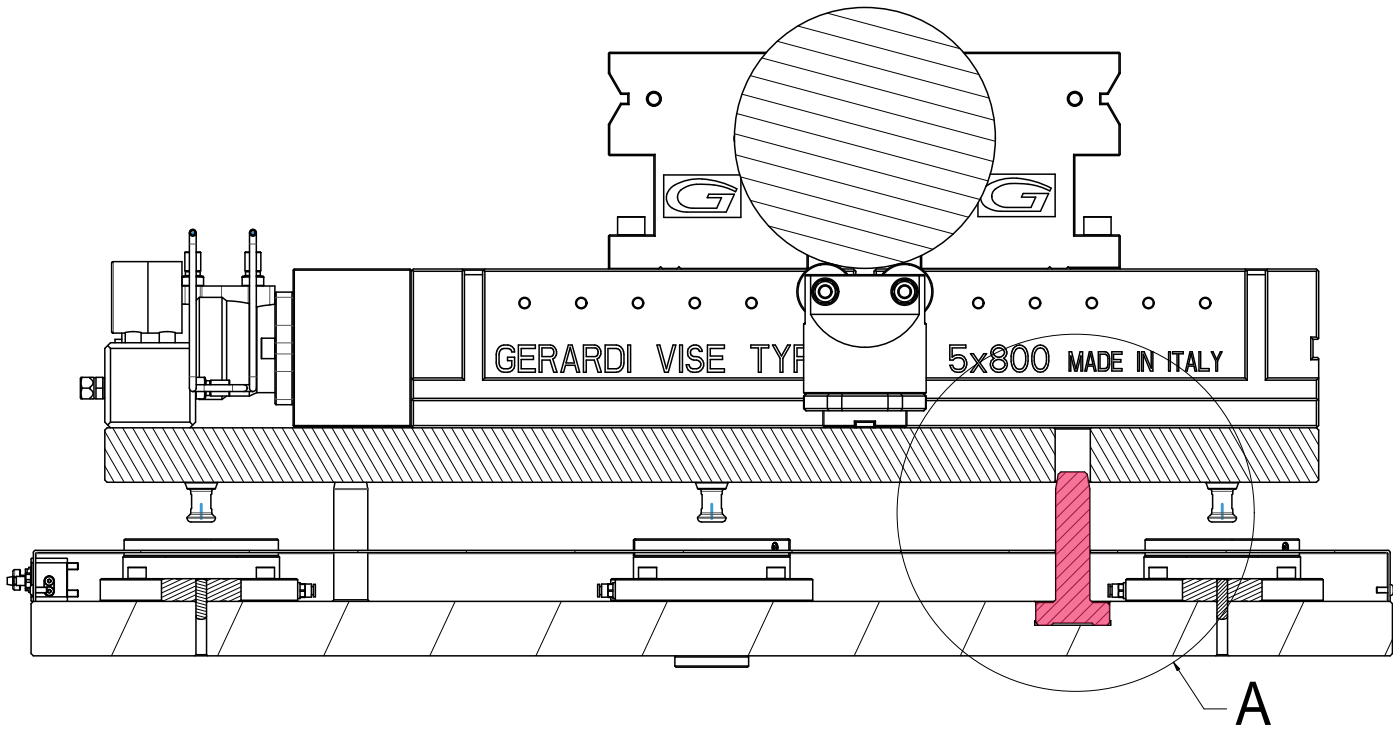


CONNESSIONE CON PIASTRA ZERO POINT CONNECTION WITH ZERO POINT PLATE



A(1:2)