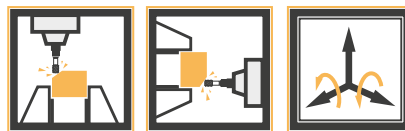




Zero Point

Set up times
reduced of 90%

Made in Italy



5 Years Warranty

Reduction up to

31%

IDEAL FOR HORIZONTAL, VERTICAL & 5 AXIS CENTRES

MULTIPLE PNEUMATIC (THE CLASSIC)

Repeatability within 0,005 mm



Standard Equipment:
1 pull-stud Art.10 - 1 Teflon
cup with O-Ring Art.9

SINGLE PNEUMATIC (THE HERMETIC)

Repeatability within 0,005 mm

Art.664

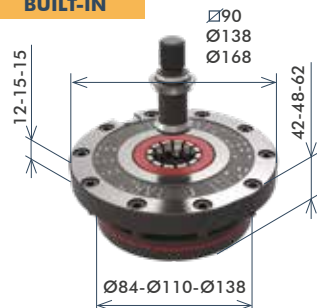
WITH FLANGE



Type	1	2	3
Code	9.66.41000	9.66.42000	9.66.43000
kN	5,4	10	16
Double effect KN	NOT AVAILABLE		
LIST PRICE €	631	820	1.030
		€599	

Art.665

BUILT-IN

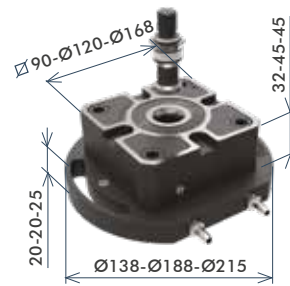


Type	1	2	3
Code	9.66.51000	9.66.52000	9.66.53000
kN	5,4	10	16
Double effect KN	NOT AVAILABLE		
LIST PRICE €	526	711	927
		€499	

Art.664S

DOUBLE EFFECT
AIR + SPRINGS

WITH FLANGE

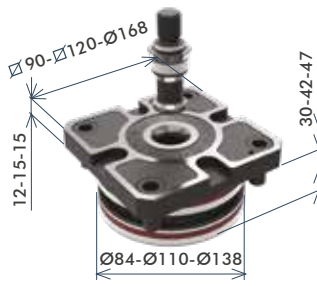


Type	1	2	3
Code	9.66.4S100	9.66.4S200	9.66.4S300
kN	5,4	10	16
Double effect KN			
LIST PRICE €	631	894	1.030
		€699	

Art.665S

DOUBLE EFFECT
AIR + SPRINGS

BUILT-IN



Type	1	2	3
Code	9.66.5S100	9.66.5S200	9.66.5S300
kN	5,4	10	16
Double effect KN			
LIST PRICE €	526	788	927
		€599	

Clamping force 5 ÷ 40 kN / Holding force more than 60 kN / Pneumatic release 6 ÷ 14 bar / Axial and radial compensation thanks to elastic integral collet / Double pull-stud centering for Max rigidity / Air cleaning / only for SINGLE ZERO POINT (S version) 4 KEYWAYS and DOUBLE EFFECT FUNCTION.

Pneumatic Zero Point kit interfaced base plates

KIT #1 e #2 Positioning & locking INCLUDED

KIT #3 e #4 Positioning INCLUDED, locking (EXTRA)*

KIT#1 VERTICAL CNC

Art. 81P	BASE PLATE
	200x400 200x500
LIST PRICE €	1.959 2.038
SPECIAL PRICE €	1.499 1.599

KIT#2 HORIZONTAL CNC

Art. 80P	BASE PLATE
	400x400 500x500 630x630
LIST PRICE €	3.911 4.260 4.828
S. PRICE €	2.899 3.099 3.599

KIT#3 VERTICAL CNC

Art. 81P	BASE PLATE
	400x600 400x800
LIST PRICE €	5.800 6.099
SPECIAL PRICE €	4.299 4.599

KIT#4 5TH AXIS CNC

Art. 82P	ROUND BASE PLATE
	Ø425 Ø500 Ø630
LIST PRICE €	4.221 4.336 4.850
S. PRICE €	3.199 3.299 3.799

Interface plates for Zero Point & for machine table

Art. 61i	SMOOTH
	200x400 200x500
LIST PRICE €	670 773
SPECIAL PRICE €	499 599

Art. 61iE	INTEGRAL GRID
	200x400 200x500
LIST PRICE €	788 1.010
SPECIAL PRICE €	599 699

Art. 60i	SMOOTH
	400x400 500x500 630x630
LIST PRICE €	965 1.179 1.391
S. PRICE €	699 899 999

Art. 60iE	INTEGRAL GRID
	400x400 500x500 630x630
LIST PRICE €	1.229 1.574 2.616
S. PRICE €	899 1.199 1.999

Art. 61i	SMOOTH
	400x600 400x800
LIST PRICE €	1.447 1.982
SPECIAL PRICE €	1.099 1.499

Art. 61iE	INTEGRAL GRID
	400x600 400x800
LIST PRICE €	1.694 2.513
SPECIAL PRICE €	1.299 1.899

Art. 62i	SMOOTH
	Ø425 Ø500 Ø630
LIST PRICE €	1.050 1.200 1.450
S. PRICE €	799 949 1.099

Art. 62iE	INTEGRAL GRID
	Ø425 Ø500 Ø630
LIST PRICE €	1.241 1.575 2.100
S. PRICE €	949 1.199 1.599

* Contact Us and require the technical drawing